



Digital Processing CCD Color Camera ICD-809 [NTSC]/809P [PAL] ICD-879 [NTSC]/879P [PAL]

Model ICD-809/809P and model ICD-879/879P are the latest addition to Ikegami's renowned stable of high sensitivity TV cameras which allow wider light spectrum coverage to the near infra-red spectrum to provide clear picture reproduction in very low light conditions. The ICD-809/879 series has a true Day/Night change-over function with well-designed electronically controlled moving filter system.

This latest model, also, comes equipped with an improved CCD sensor providing higher resolution of amazing 540TVL horizontal resolution in color mode and 570TVL horizontal resolution in monochrome mode, and the ICD-809/879 series inherits various user friendly facilities such as local and RS-485 remote camera setup and adjustment capability, intelligent sensing area spot management BLC function, various modes selection in Auto White balancing including wider spectrum coverage ATW-1 and ATW-2, different modes of AGC control, Privacy Masking Facility, CRT or LCD display optimum monitoring control and electronic shutter function, and these are enhanced by low noise, improved -126dB(ICD-809: -115dB) low vertical smear suppression performance. These variable and precise functions make the ICD-809/879 series the ideal tool for single camera to large scale integrated system applications with I-LAN* RS-485 remote control giving sophisticated visual information management.

* I-LAN; Ikegami remote and telemetry control software over RS-485 network link.

True Day/Night Function

Well designed moving IR cut filter system, inter-connected with the Automatic Gain Control system makes the ICD-809/879 series the ideal Day and Night TV camera, capable of providing a high quality crisp picture reproduction with 570TVL horizontal resolution under ultra low light conditions down to an amazing 0.011lux (ICD-809:0.015lux) minimum scene illumination performance.



Color mode



Monochrome mode

Privacy Screen Masking

The ICD-809/879 series comes with an 8 zone privacy masking function, managed by the rear control panel locally, or remotely via I-LAN over RS-485 link. Each zone has a minimum 8 pixel square sized area. This provides pin-point accuracy to cover sensitive areas that need to remain unseen.

Remote and Local Setup Functions

Camera ID numbering, Day/Night Change-over and thresh hold control, Auto White Balance, Detail Correction Management, Sync System Selection, Electronic Sensitivity and Shutter controls, BLC On Off and Spot area setting, etc.

All these are controllable, either locally via the camera rear panel switch array, or remotely via I-LAN software over RS-485 link. This makes the ICD-809/879 series the ideal tool for integrated system applications where high quality visual information management is required.

Intelligent BLC-Back Light Compensation

Well-designed back light compensation facility allows the user to designate two desired areas in a screen to provide compensation for strong back light conditions, resulting in an optimum balanced clear picture reproduction.

High Sensitivity and Low Smear and Noise

Improved interline transfer CCD performance allows a much wider sensitivity from the visible to the near infra-red spectrums to provide better picture reproduction under low light conditions. The improved DSP, digital signal processing circuit permits good Signal-to-Noise ratio with good performance of -115db vertical pixel overload protection to suppress the vertical smear that occurs with intense strong light sources.



Conventional type camera



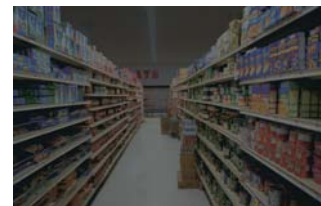
ICD-809/879 series

Electronic Sensitivity Control (ICD-879/879P only)

As the ICD-879 is equipped with an electronic sensitivity control function of up to 32 times, it covers the scene which requires high sensitivity.



Conventional type camera



ICD-879 series

Digital Processing CCD Color Camera

ICD-809 [NTSC]/809P [PAL] ICD-879 [NTSC]/879P [PAL]

Specifications

Image Sensor	1/3" Interline Transfer CCD [ICD-809/809P] 1/2" Interline Transfer CCD [ICD-879/879P]
Effective pixels	NTSC:768(H) x 494(V), 380,000 pixels approx. PAL:752(H) x 582(V), 440,000 pixels approx.
Sync System	Internal: Crystal lock or Line-Lock External: GENLOCK
GENLOCK Input	VBS or VS 1.0Vp-p/75 (High impedance Switchable) BBS 0.45Vp-p/75 (High impedance Switchable)
Video Output	VBS 1.0Vp-p/75
Horizontal Resolution	Color: 540 TV Lines, Monochrome: 570 TV Lines
S/N Ratio	52dB / rms or better

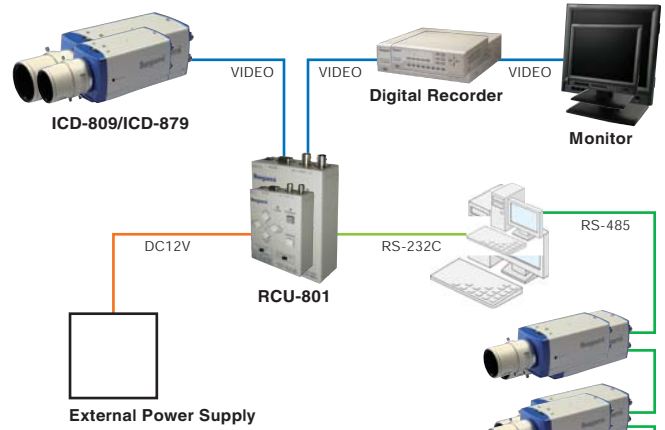
Minimum Illumination

ICD-809/809P		
Hyper AGC ON	F1.4	F1.2
Color [50IRE]	0.2 lux	0.15 lux
Monochrome [25IRE]	0.02 lux	0.015 lux
ICD-879/879P		
Hyper AGC ON	F1.4	F1.2
Color [50IRE]	0.15 lux	0.11 lux
Monochrome [25IRE]	0.015 lux	0.011 lux
Electronic Sensitivity Control ON, Max 32 times multiplication Hype AGC ON	F1.4	F1.2
Color [50IRE]	0.005 lux	0.0037 lux
Monochrome [25IRE]	0.0005 lux	0.00037 lux

Day/Night Change over AGC	AUTO/REMOTE/MANUAL Selectable ON(AGC, Hyper AGC)/OFF (LOW, MID, HIGH) Switchable
White Balance	ATW1/ATW2/AWC/Manual. Selectable, Adjustable
Detail Correction	Built-in (Level Adjustable)
Back Light compensation	Built-in, ON/OFF/SPOT Switchable
Automatic Electronic Shutter	Built-in, ON/OFF Switchable AES Range NTSC:1:1600 PAL:1:2000 (Unable to work when power frequency does not meet vertical frequency of the camera)
Electronic Shutter	Built-in, OFF, 1/100 (1/60:PAL), 1/125, 1/500, 1/1,000, 1/2,000, 1/4,000, 1/10,000, VARIABLE VARIABLE:1/60(1/50:PAL) ~1/100,000
Auto Iris Function	Video Iris/DC Iris Switchable
Privacy masking Function	Built-in
Camera ID	Built in 1 line, 16 characters
Monitor Output selection	Built in for either CRT or LCD type
Lens Mount	CS-mount (Optional C-mount Adapter can be used)
Flange Back	Built-in Adjustment mechanism
Power Requirement	AC24V±10% 60Hz/DC12V (10.5V~28V) [NTSC] AC230V±15% 50Hz [PAL] AC24V±10% 50Hz/DC12V(10.5V~28V) [PAL]
Power Consumption	AC24V:4.3W or less [ICD-809/809P], 5.3W or less [ICD-879/879P] DC12V:4.2W or less [ICD-809/809P], 5.3W or less [ICD-879/879P] AC230V:4.3W or less [ICD-809/809P], 5.3W or less [ICD-879/879P]
Operating Temperature	-10°C~+50°C
Camera Mount	1/4"~20UNC x2 (Upper bottom select)
Dimensions	W62 x H55 x D122mm (W2.44 x H2.17 x D4.80 inches)
Weight	AC24V/DC12V : 420g (0.93 lbs) approx. [ICD-809/809P] AC230V : 660g (1.46 lbs) approx. [ICD-809/809P] AC24V/DC12V : 500g (1.10 lbs) approx. [ICD-879/879P] AC230V : 700g (1.54 lbs) approx. [ICD-879/879P]
Input/Output Connector	<ul style="list-style-type: none"> • Video Output: BNC • GENLOCK Input: BNC • Lens Iris Control:4P (E4-191J-150) • AC24V/DC12V Input:2P push in terminal • RS-485 Input/Output: 5P terminal
Accessories	Instruction Manual

Remote Setup Function

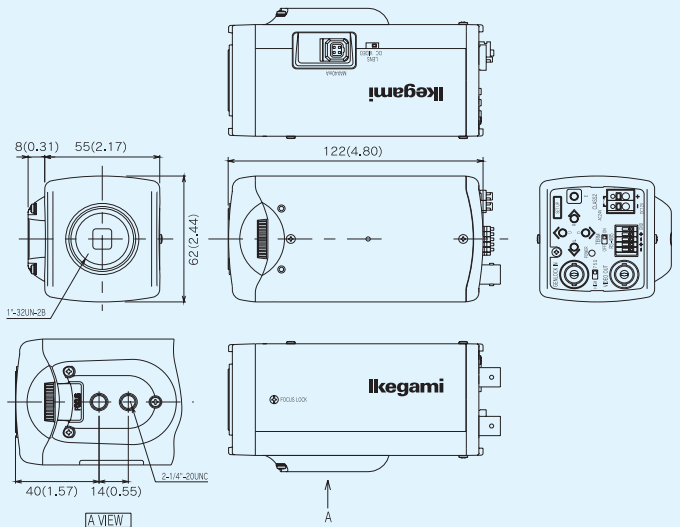
Remote controlled on OSD by I-LAN over RS-485 link.
It is available to set up by optional remote set up unit RCU-801.



New Remote Control Unit, RCU-801 Coax Remote or RS-232C Remote

This unit is a control box for camera setups for various parameters using OSD, On-Screen-Display. And not only conventional Video coax cable connection controls, but also the provision for RS-232C link application is on. This DC12V or AA Battery operated control box makes camera setup and adjustment work very easy and effort-less even in difficult places for camera installation.

Dimensions:mm(inch)



* This product is made of ECO friendly components based upon the Company policy and Corporate Social Responsibility to help Global Environmental solution for energy conservation and environmental sustainability, and all the components used in this product are Non-hazardous, Toxic Free, Non-Lead materials and parts conforming with Japan's Green Product Regulation, EU's RoHS Direction, and other environmental and hazardous chemical substances related regulations and laws.

* Design and specifications are subject to change without notice.

U131A073-HI

Ikegami IKEGAMI ELECTRONICS (U.S.A.), INC.

URL <http://www.ikegami.com>

HEADQUARTERS 37 BROOK AVENUE, MAYWOOD, NJ 07607
Phone:(201) 368-9171 Fax:(201) 569-1626

WESTCOAST OFFICE 2631 MANHATTAN BEACH BLVD., REDONDO BEACH, CA 90278
Phone:(310) 297-1900 Fax:(310) 536-9550

SOUTHWEST OFFICE 773 BEARDEN WAXAHACHIE, TX 75167 Phone:(972) 869-2363 Fax:(972) 556-1057

MIDWEST OFFICE 747 CHURCH ROAD, UNIT C1, ELMHURST, IL 60126 Phone:(630) 834-9774 Fax:(630) 834-8689

SOUTHEAST OFFICE 5200 N.W. 33RD AVENUE, SUITE 111 FORT LAUDERDALE, FL 33309 Phone:(954) 735-2203 Fax:(954) 735-2227

ISO 9001



Certified JQA-0755

ISO 14001



Certified JQA-EM3888