

**KeyDetector.Gate.'Duo'** serves as an interface for contactless data carriers such as keycards or Swatch Access watches. When a data carrier is moved towards the reading point of the Key Detector DUO, the stored information is read automatically and relayed to the host system. Conversely, the Key Detector DUO can write data received via this interface directly to the memory of the data carrier. Writing access to a data carrier is controlled by a built-in security IC. The Key Detector DUO features FET switching outputs for actuating electric door openers and similar access control devices.



## APT450.Logic **KeyDetector.Gate Duo** Parking. Logic

### Features

- compatible with all hands free data carriers
- supported by SKIDATA systems
- integrated DUO technology supports 125 kHz and 13 MHz frequency ranges, ISO 15693 standard
- wear-free thanks to contactless technology
- simple integration thanks to standard interfaces
- switching output for 1 A load operating status is indicated by red/green/orange LED and piezo beeper
- durable, weather resistant design

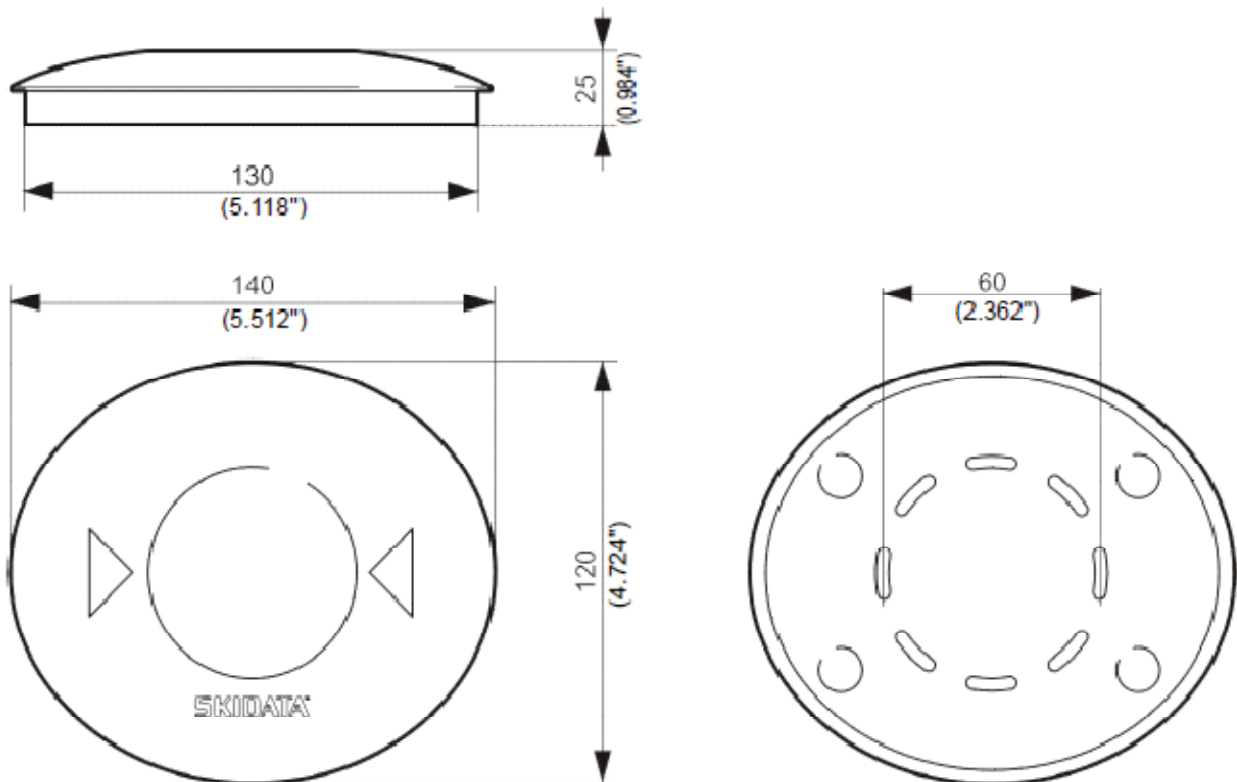
### Version, Accessories

- Key detector DUO RS232

## Technical Specifications

Data carriers	keycard, keycard iso, Swatch Access, KeyBand
Housing dimensions	120 mm x 140 mm x 25 mm / 4.427" x 5.512" x 0.984" (w x h x d)
PCB dimensions	100 mm x 110 mm x 14 mm / 3.937" x 4.331" x 0.551" (w x h x d)
Operating frequencies	125 kHz, 13 MHz
Supply voltage	7 - 12 V DC
Power consumption max.	2.4 W
Protection class	IP43 (wall-mount model is spray proof)
Operating temperature	-20 °C to +60 °C (-4 °F to +140 °F)
Range	keycard approx. 10 cm (3.937"), Swatch Access approx. 4 cm (1.575")
Standards	EN 50364, EN 60950-1, EN 300 330-2, EN 301 489-3
Authorization	CE, FCC
Color Cabinet	RAL 9007 Traffic grey B
Color Arrow	PANTONE 114 U

## Dimensions



**SKIDATA®**  
KUDELSKI GROUP